

5.70 mm. DUAL ROW SIDE ENTRY HEADER



7746 SERIES. 5.70 mm (0.224") pitch.

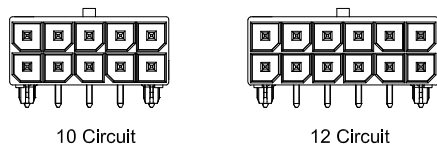
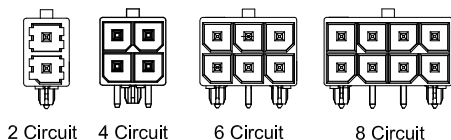
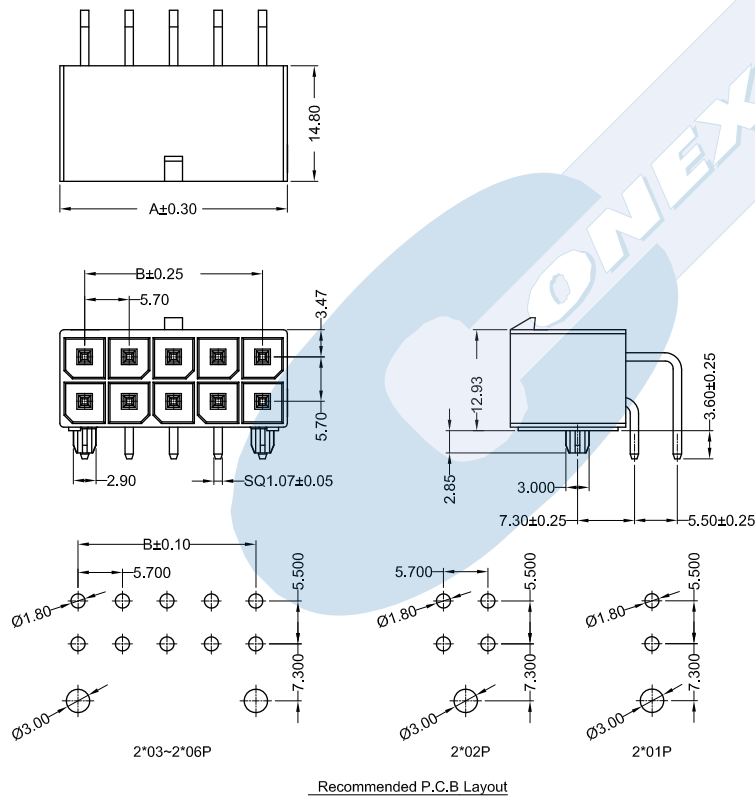
General Features

- Available in 2 through 12 circuits
- Mates with 5.70 mm. crimp housing 7740 series
- Square pin tin plated
- Fully shrouded with polarized slot
- Positive lock

Materials

- Insulator: LCP UL 94 V-0
- Contact: High conductive brass tin plated
- Operating temperature: -25°C to +105°C
- RoHS compliant

Dimensional Information

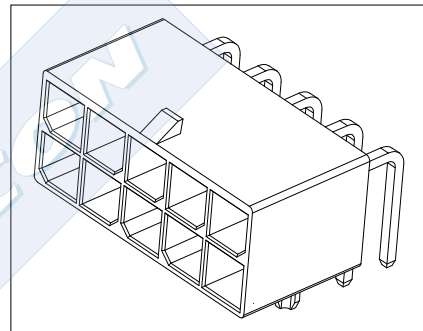


Electrical Features

- Voltage rating: < 600V
- Current rating: < 23 A
- Contact resistance: < 10 m Ω
- Dielectric withstanding voltage: 2200 V AC/minute
- Insulation resistance: > 1000 M Ω

Mechanical Features

- Pin retention force to insulator: > 8.90 Kgf
- Durability: 25 cycles



Ordering Information:

7746 - 2 - XX - 1
 1 3

1. Connector Series

3. (XX) number of circuits

- Available in 2 through 12 circuits

Dimensions: (In mm.)

$$A = 5.70 \times (XX^*/2 - 1)$$

$$B = 5.70 \times (XX^*/2) + 6.35$$

$$C = 5.70 \times (XX^*/2) + 10.34$$

XX* = Number of circuits