

SIDE ENTRY SHIELDED PCB JACK FCC-68



7697 SERIES. Right angle PCB jack. With leds and LAN filters.

General Features

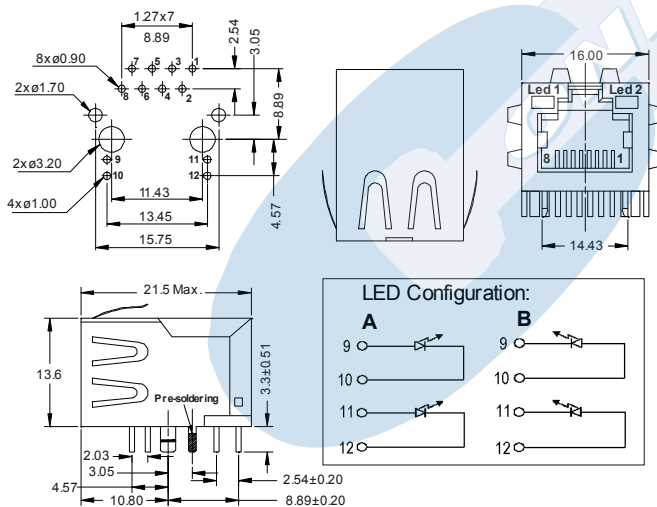
- Available in 8/8 and 10/10 circuits
- Standard telephone jack FCC-68
- 13.60 mm. height
- Accept standard plugs FCC-68 type
- Selective gold plating with different plating
- Bifurcated plastic foot print
- With grounding tabs
- With or Without leds and LAN filter. Different options

Materials

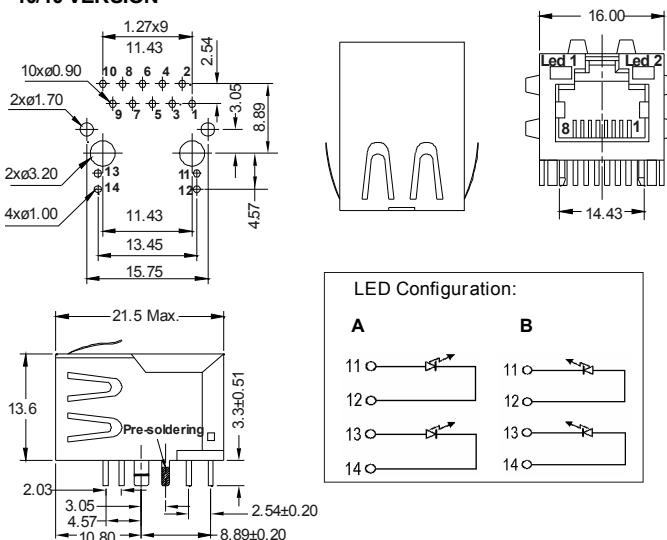
- Insulator: Thermoplastic UL 94V-0
- Contact: 0.35 mm thickness phosphor bronze
- shielded: 0.25 mm thickness brass
- Operating temperature. -25°C to +70°C
- RoHS compliant

Dimensional Information

8/8 VERSION



10/10 VERSION



Electrical Features

- Voltage rating: < 125V
- Current rating: < 1.50 A
- Contact resistance: < 20 mΩ
- Dielectric withstanding voltage: 300 V AC/minute
- Insulation resistance: >1000 MΩ

Mechanical Features

- Durability: 1000 cycles

Ordering Information:

7697 - **T**- **XX**- **L**- **C**- **F**
 1 2 3 4 5 6

1. Connector Series

2. (T) Contact Plating

- T = 4. 6μ" gold over nickel
- T = 5. 15μ" gold over nickel
- T = 6. 30μ" gold over nickel
- T = 7. 50μ" gold over nickel

3. (XX) Number of circuits

- XX = 88. 8/8 version
- XX = 10. 10/10 version

4. (L) Led Configuration

- L = 0. Without Led
- L = 1. Position Led A
- L = 2. Position Led B

5. (C) Colour Led

- C = 1. Without Led
- C = 2. Led 1 Green / Led 2 Yellow
- C = 3. Led 1 Yellow / Led 2 Green
- C = 4. Led 1 Green / Led 2 Green
- C = 5. Led 1 Yellow / Led 2 Yellow

6. (F) Filter OPTIONS

- Replace F for the selected option

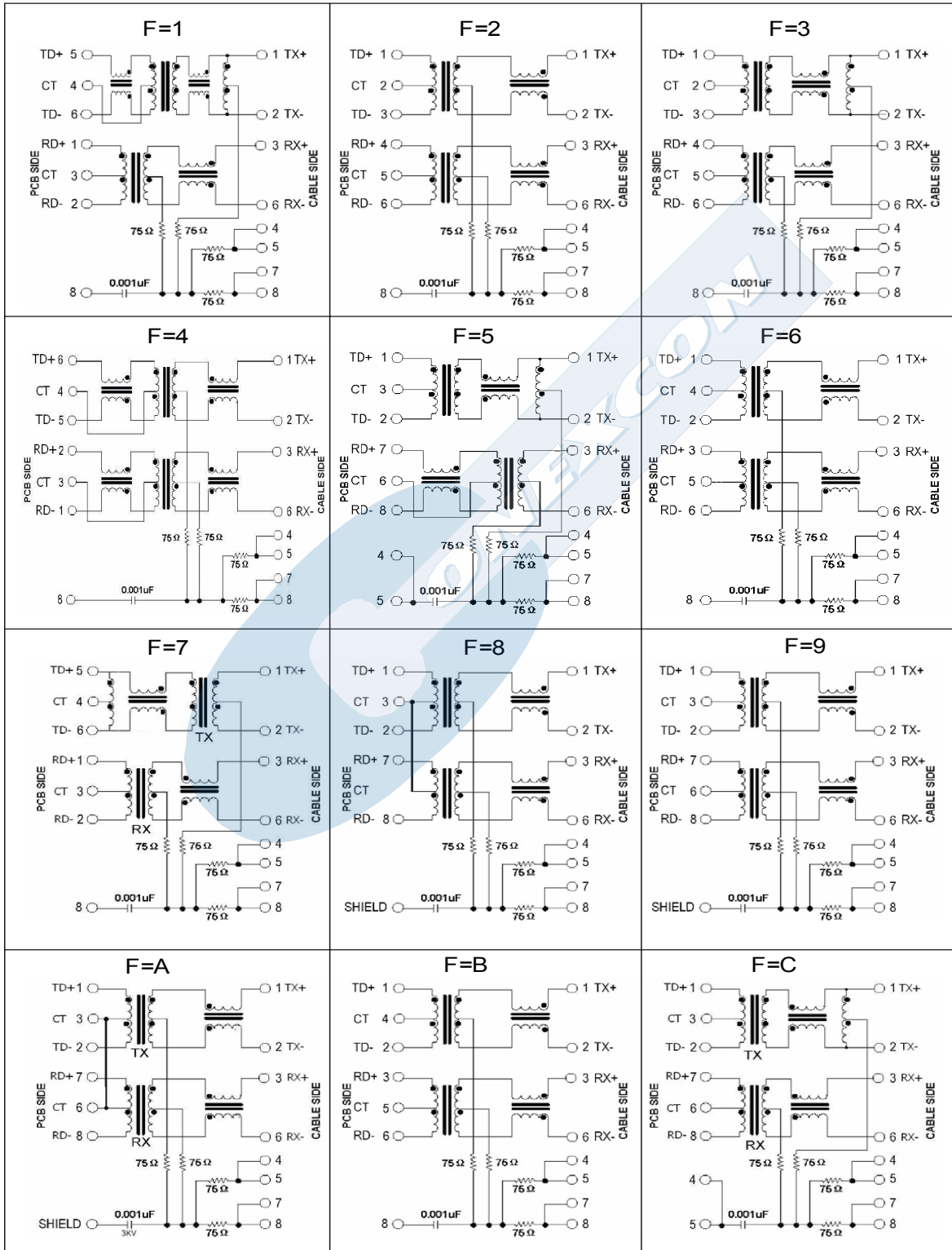


SIDE ENTRY SHIELDED PCB JACK FCC-68



7697 SERIES. Right angle PCB jack. With leds and filters.

Filter 8/8 Type:

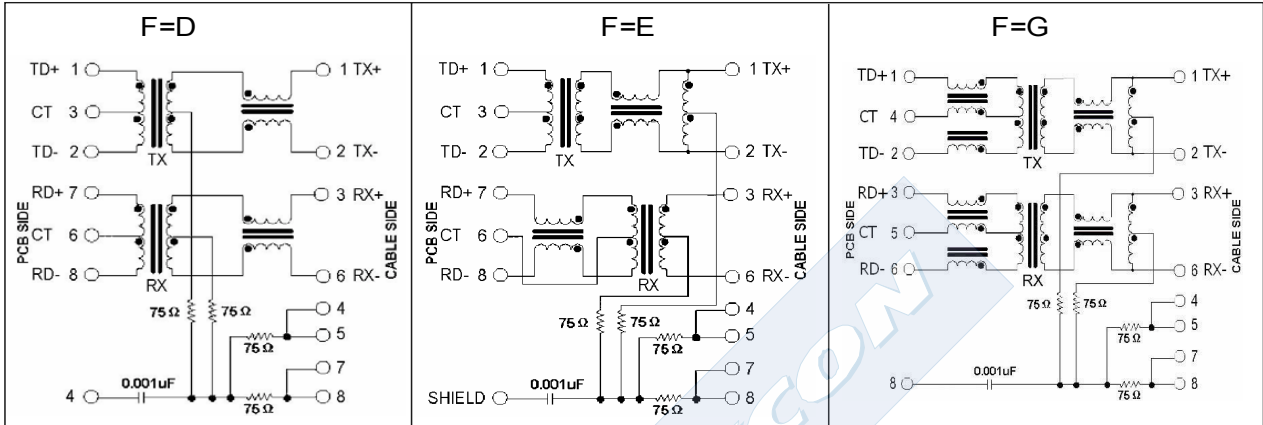


SIDE ENTRY SHIELDED PCB JACK FCC-68

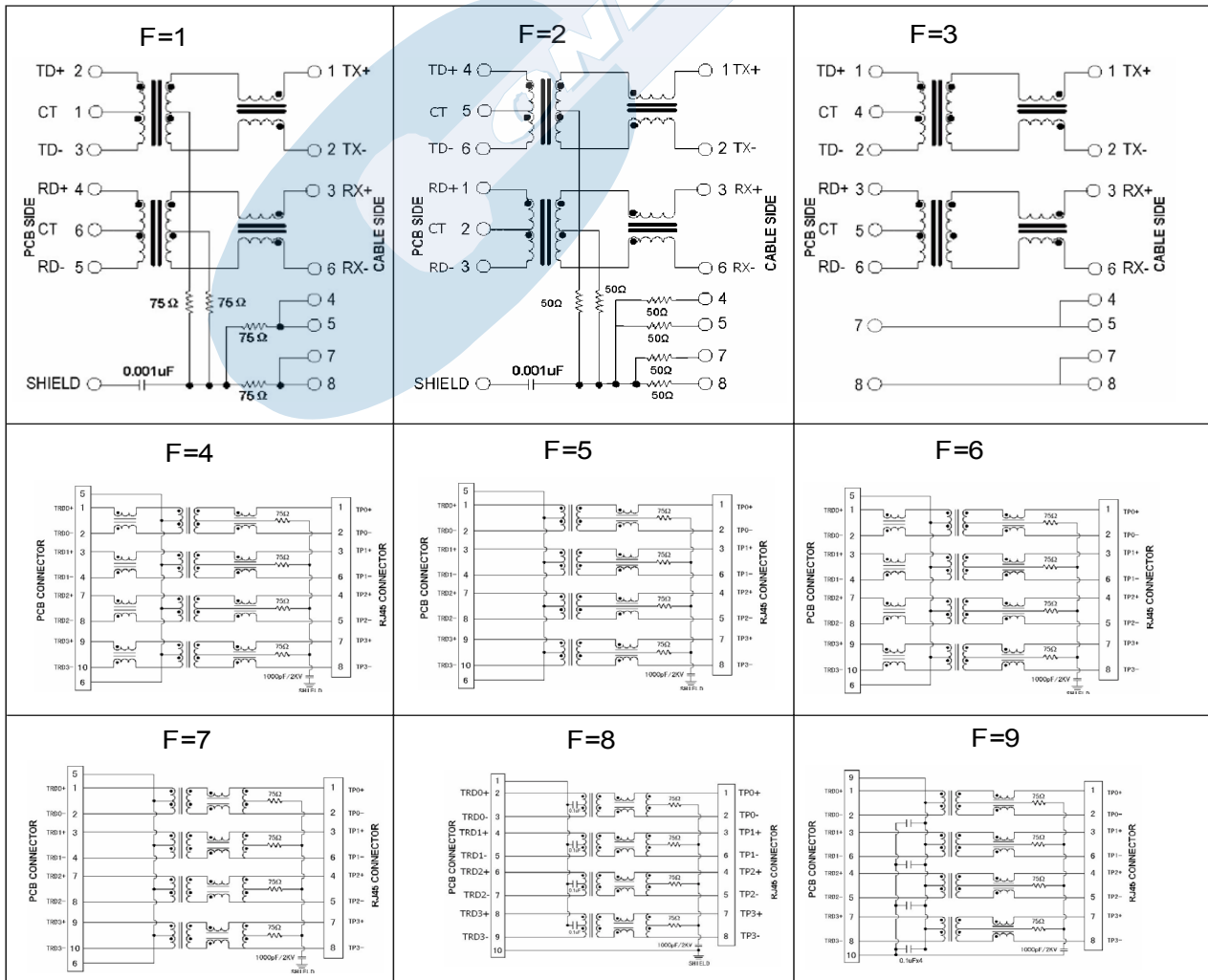


7697 SERIES. Right angle PCB jack. With leds and filters

Filter 8/8 Type:



Filter 10/10 Type:



SIDE ENTRY SHIELDED PCB JACK FCC-68



7697 SERIES. Right angle PCB jack. With leds and filters

Filter 10/10 Type:

