

SIDE ENTRY PCB JACK FCC-68



7658 SERIES. Shielded / Unshielded available.

General Features

- Available in 6/6 and 8/8 circuits
- Standard telephone jack FCC-68
- Low profile 12.70 mm. (Unshielded) and 12.95 (Shielded)
- Accept standard plugs FCC-68
- Selective gold plating with different plating
- Bifurcated plastic foot print

Materials

- Insulator: Thermoplastic UL 94V-0
- Contact: 0.35 mm thickness phosphor bronze
- Shielded: 0.25 mm thickness brass
- Operating temperature. -25°C to + 85°C
- RoHS compliant

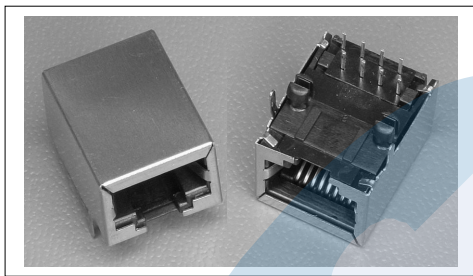
Dimensional Information

Electrical Features

- Voltage rating: < 125 V
- Current rating: < 1.50 A
- Contact resistance: < 20 mΩ
- Dielectric Withstanding Voltage: 300 V AC/minute
- Insulation Resistance: >1000 MΩ

mechanical Features

- Durability: 1000 cycles

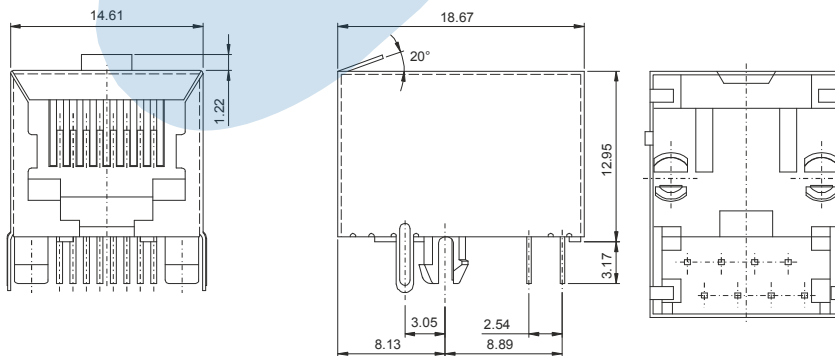


Circuits	Unshielded	Part Number	
		Shielded	
		W/O grounding tabs	With grounding tabs
6/6	7658 – T661	7658 – T662	7658 – T663
8/8	7658 – T881	7658 – T882	7658 – T883

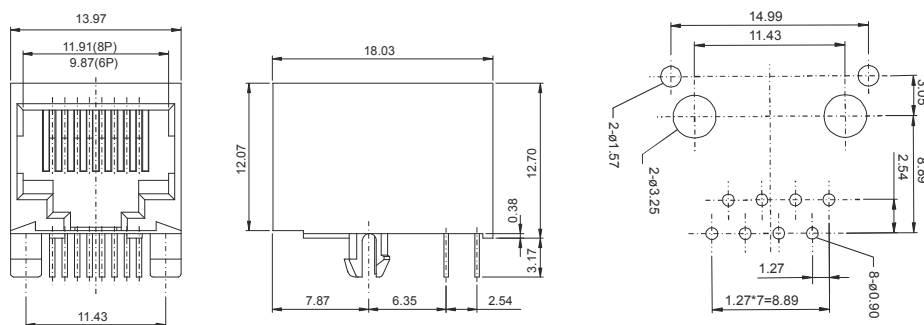
T = Plating Options

- T = 4. 6μ" gold over nickel
- T = 5. 15μ" gold over nickel
- T = 6. 30μ" gold over nickel
- T = 7. 50μ" gold over nickel

Shielded Version



Unshielded Version



RECOMMENDED HOLE PATTERN