

SIDE ENTRY HALF PCB JACK FCC-68



7653 SERIES. Right angle PCB jack Shielded and Unshielded.

General Features

- Available in 8/8 and 10/10 circuits
- Standard telephone jack FCC-68
- Low profile: 12.70 mm.
- Accept standard plugs FCC-68 type
- Selective gold plating with different finish
- Bifurcated plastic foot print
- With / without grounding tabs

Materials

- Insulator: Thermoplastic UL 94V-0
- Contact: 0.35 mm thickness phosphor bronze
- Shielded: 0.25 mm thickness brass
- Operating temperature. -25°C to + 85°C
- RoHS compliant

Dimensional Information

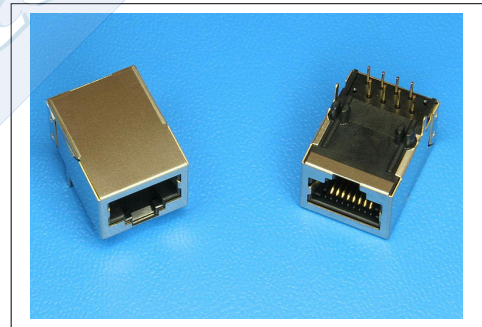
| Circuit Size | Part Number | | |
|--------------|-------------|--------------------------------|-----------------------------|
| | Unshielded | Shielded Without Grounding Tab | Shielded With Grounding Tab |
| 8/8 | 7653 – T081 | 7653 – T082 | 7653 – T083 |
| 10/10 | 7653 – T101 | 7653 – T102 | 7653 – T103 |

Electrical Features

- Voltage rating: < 125V
- Current rating: < 1.50 A
- Contact resistance: < 20 mΩ
- Dielectric withstanding voltage: 300 V AC/minute
- Insulation resistance: >1000 MΩ

Mechanical Features

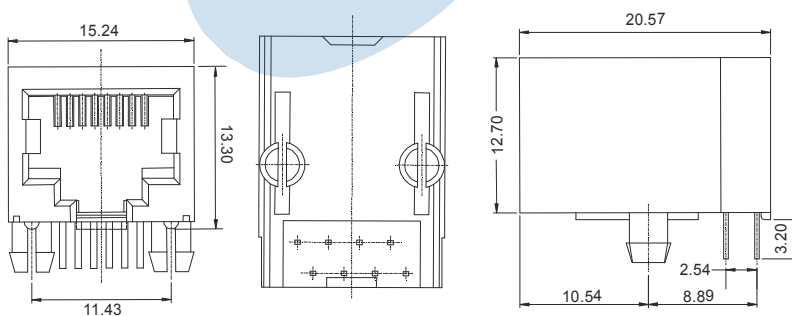
- Durability: 1000 cycles



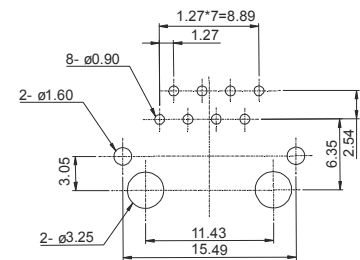
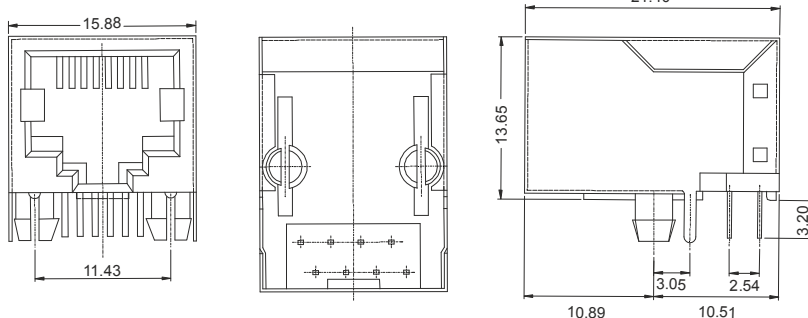
T = Contact Plating

- T = 4. 6μ" gold over 50μ" nickel
- T = 5. 15μ" gold over 50μ" nickel
- T = 6. 30μ" gold over 50μ" nickel
- T = 7. 50μ" gold over 50μ" nickel

UNSHIELDED VERSION



SHIELDED VERSION



RECOMMENDED HOLE PATTERN