

TOP ENTRY PCB PLUG FCC-68 8 CONTACTS



6886 SERIES. 8 circuits PCB type.

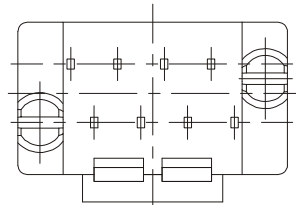
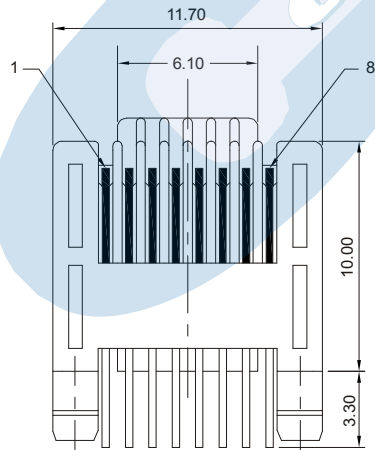
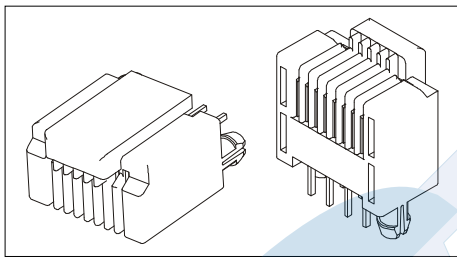
General Features

- Available in 8/8 circuits
- Top entry
- Standard FCC-68 plug PCB Type
- Plastic pegs to fix to PCB

Materials

- Insulator: Polycarbonate UL 94V-0
- Contact: Phosphor Bronze
- Operating temperature: -25°C to +85°C
- RoHS compliant

Dimension Information



Electrical Features

- Voltage rating: < 125V
- Current rating: < 1.50 A
- Contact resistance: < 20 mΩ
- Dielectric withstanding voltage: 300 V AC/minute
- Insulation resistance: >1000 MΩ

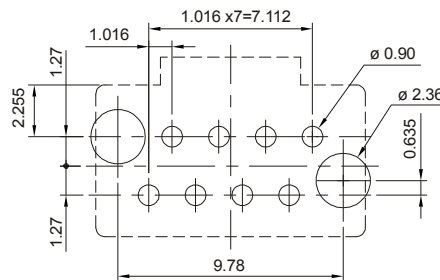
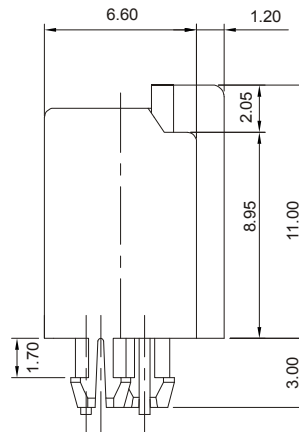
Mechanical Features

- Durability: 1000 cycles

Circuits	Part Number
8/8	6886-T881

T = Plating Options

- T = 4. 6μ" gold over nickel
- T = 5. 15μ" gold over nickel
- T = 6. 30μ" gold over nickel
- T = 7. 50μ" gold over nickel



RECOMMENDED HOLE PATTERN