

TELEPHONE PLUGS FCC-68 6 CONTACTS



6867 SERIES. 6 circuits modular plugs.

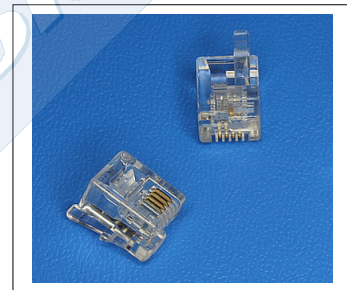
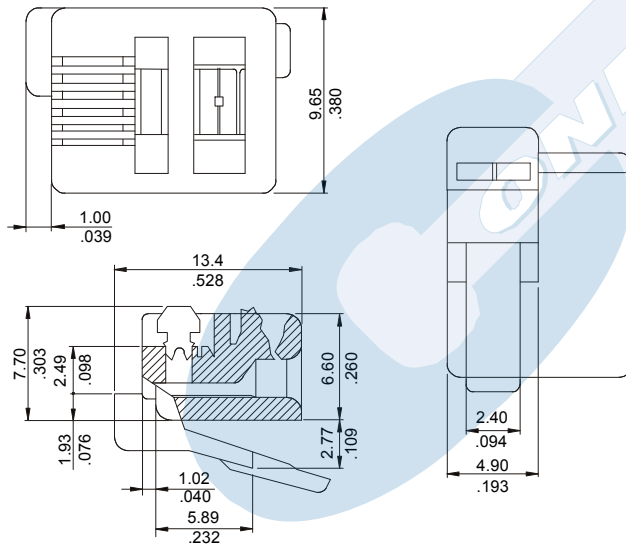
General Features

- Available in 6/4 and 6/6 circuits
- Standard telephone plug 6 circuits FCC-68 DEC latch
- Use cable 9102 series
- Insulation piercing termination
- 2 prongs for stranded wire

Materials

- Insulator: Polycarbonate UL 94V-2
- Contact: Phosphor Bronze
- Operating temperature: -25°C to +85°C
- RoHS compliant

Dimension Information



Circuits	Part Number
6/4	6867 - T641
6/6	6867 - T661

T = Contact Plating

- T = 4. 6μ" gold over 50μ" nickel
- T = 5. 15μ" gold over 50μ" nickel
- T = 6. 30μ" gold over 50μ" nickel
- T = 7. 50μ" gold over 50μ" nickel

