

# CRIMP FEMALE TERMINAL



## 5785 SERIES. 2.54 mm. (0.100") mm. Pitch.

### General Features

- Accommodates wire range AWG 20 through 24
- Use in housing 2.54 x 2.54 mm. pitch 5780 series
- Box contact with tin plated locking lance
- Maximum insulation diameter 1.55 mm (0.061")

### Materials

- Contact: Brass tin plated
- Operating temperature -55°C to +125°C

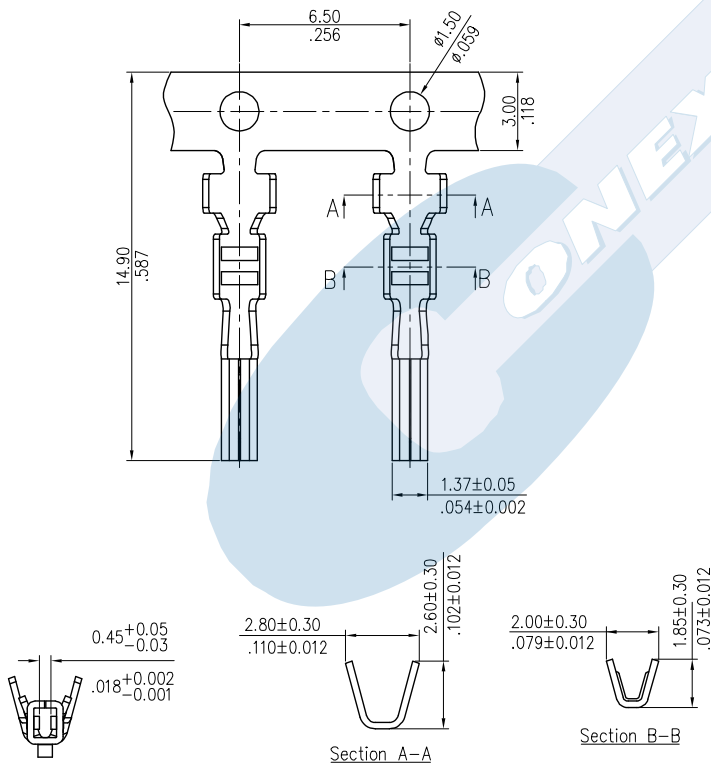
### Electrical Features

- Current rating: < 3 A
- Contact resistance: < 20 mΩ

### Mechanical Features

- Durability: 25 cycles
- Wire pull-out force:  
7.00 Kgf 20 AWG  
5.00 Kgf 22 AWG  
3.00 Kgf 24 AWG

### Dimensional Information



**5785 - T- 00- E**  
1 2

#### 1. Terminal Series

#### 2. (T) Contact Plating

- T = 2. Tin plated

#### 2. (E) Packing Options

- E = 0. Chain
- E = 1. Loose Piece

