

3.00 mm. SINGLE ROW TOP ENTRY HEADER



5766 SERIES. 3.00 mm. (0.118") pitch.

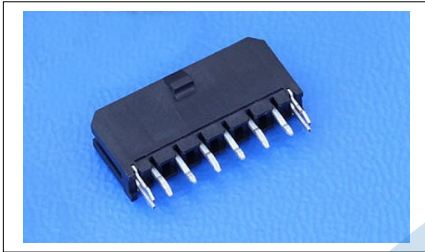
General Features

- Available in 2 through 12 circuits
- Mates with 3.00 mm. crimp housing 5750 series
- Tin plated 0.64 mm. square pin
- Fully shrouded with polarized slot. Positive lock
- With metallic board lock

Materials

- Insulator: Nylon 6T UL 94 V-0
- Contact: Tin plated brass
- Operating temperature: -40°C to +105°C
- RoHS compliant

Dimensional Information



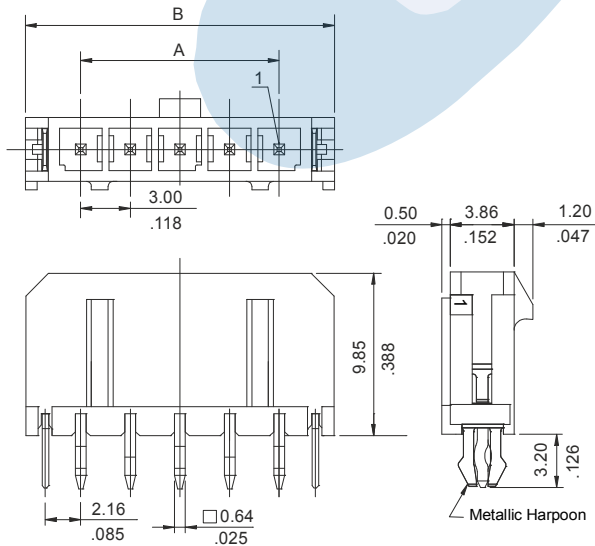
Electrical Features

- Voltage rating: < 250V
- Current rating: < 5 A
- Contact resistance: < 10 mΩ
- Dielectric withstanding voltage: 500 V AC/minute
- Insulation resistance: >1000 MΩ

Mechanical Features

- Pin retention force to insulator: > 1,50 Kgf
- Durability: 25 cycles

Circuits	Part Number	Dimensions	
		A	B
2	5766 – T021E	3.00 (.118)	9.65 (.380)
3	5766 – T031E	6.00 (.236)	12.65 (.498)
4	5766 – T041E	9.00 (.354)	15.65 (.616)
5	5766 – T051E	12.00 (.472)	18.65 (.734)
6	5766 – T061E	15.00 (.591)	21.65 (.852)
7	5766 – T071E	18.00 (.709)	24.65 (.970)
8	5766 – T081E	21.00 (.827)	27.65 (1.088)
9	5766 – T091E	24.00 (.945)	30.65 (1.206)
10	5766 – T101E	27.00 (1.063)	33.65 (1.325)
11	5766 – T111E	30.00 (1.181)	36.65 (1.442)
12	5766 – T121E	33.00 (1.299)	39.65 (1.561)



T = Plating Options

- T = 2. Tin Plated.
(Recommended Finish)

E = Packing Options

- E = 5. Tube + Metallic Tab
- E = 6. Reel + Metallic Tab

