

3.00 mm. MICRO HIGH TOP ENTRY HEADER



5755 H SERIES. 3.00 x 3.00 mm. (0.118 x 0.118") pitch. High Current

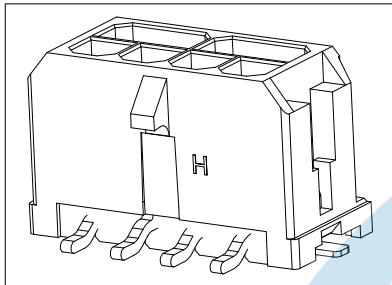
General Features

- Available in 2 through 24 circuits
- Mates with 3.00 mm. crimp housing 5740H series
- Tin plated 0.64 mm. square pin
- Fully shrouded with strong polarization
- Positive lock system
- With SMT board lock

Materials

- Insulator: LCP UL 94 V-0
- Contact: brass alloy
- Operating temperature: -40°C to +105°C
- RoHS compliant

Dimensional Information



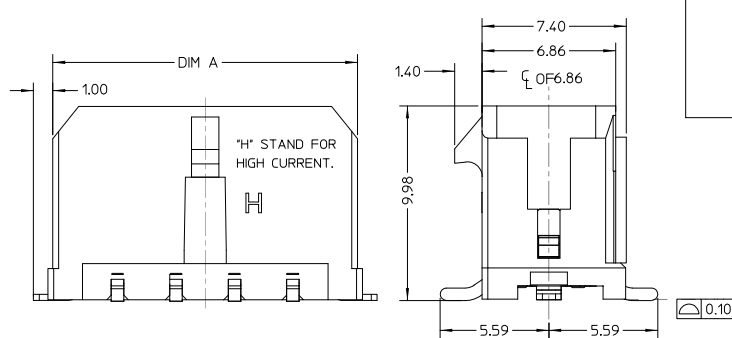
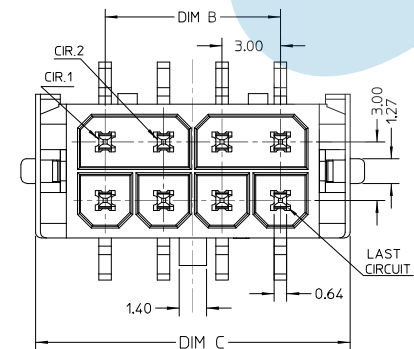
Electrical Features

- Voltage rating: < 600V
- Current rating: 12.5 A maximum depending size cable and number of circuits. More information check **5740H** series
- Contact resistance: < 10 mΩ maximum
- Dielectric withstanding voltage: 500 V AC/minute
- Insulation resistance: >1000 MΩ

Mechanical Features

- Pin retention to header: > 0.13 Kgf
- Insertion force to header: <0.80 Kgf/pin tin plated
<0.56 Kgf/pin gold plated
- Withdrawal force from header: <0.20 Kgf/pin tin plated
<0.15 Kgf/pin gold plated
- Durability: 30 cycles

Circuits	Part Number	Dimensions			
		A	B	C	D
2	5755H - 2021E*	6.65	N/A	7.15	11.20
4	5755H - 2041E*	9.65	3.00	10.15	14.20
6	5755H - 2061E*	12.65	6.00	13.15	17.20
8	5755H - 2081E*	15.65	9.00	16.15	20.20
10	5755H - 2101E*	18.65	12.00	19.15	23.20
12	5755H - 2121E*	21.65	15.00	22.15	26.20
14	5755H - 2141E*	24.65	18.00	25.15	29.20
16	5755H - 2161E*	27.65	21.00	28.15	32.20
18	5755H - 2181E*	30.65	24.00	31.15	35.20
20	5755H - 2201E*	33.65	27.00	34.15	38.20
22	5755H - 2221E*	36.65	30.00	37.15	41.20
24	5755H - 2241E*	39.65	33.00	40.15	44.20



(E*) Packing Options

- E = 1. Tube
- E = 2. Reel

