

# CRIMP FEMALE TERMINAL



## 5714 SERIES. 2.50 (0.098") mm. Pitch.

### General Features

- Accommodates wire range AWG 22 through 28
- Use in male housing 2.50mm. pitch 5700 series
- Box contact with tin plated locking lance
- Maximum insulation diameter 1.70 mm (0.067")

### Materials

- Contact: Tin pre plated Brass
- Operating temperature -25°C to +85°C

### Electrical Features

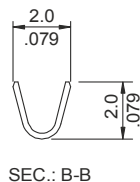
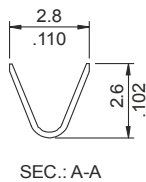
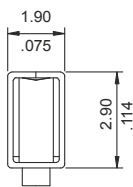
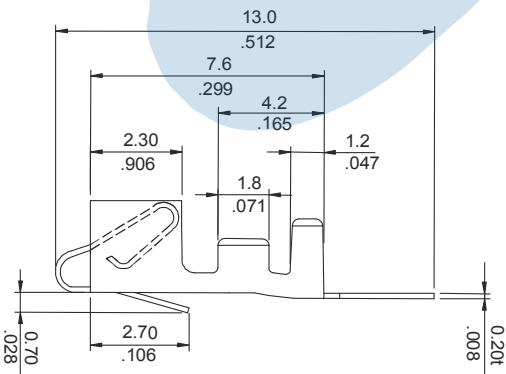
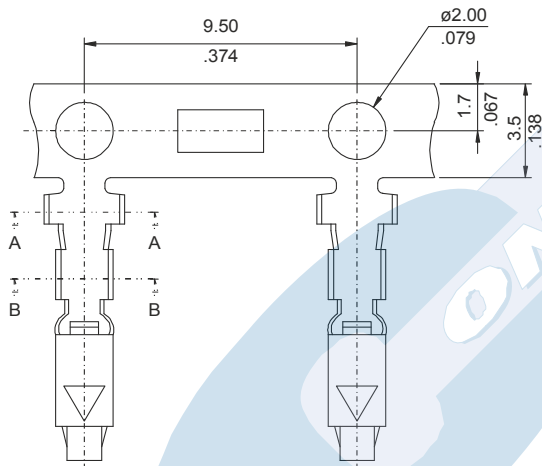
- Current rating: < 3 A
- Contact resistance: < 20 mΩ

### Mechanical Features

- Durability: 25 cycles
- Wire pull-out force:
 

4.00 Kgf 22 AWG	2.00 Kgf 26 AWG
3.00 Kgf 24 AWG	1.30 Kgf 28 AWG

### Dimensional Information



SEC.: A-A

SEC.: B-B

**5714 - T- 00- E**  
 1 2

#### 1. Terminal Series

#### 2. (T) Contact Plating

- T = 2. Tin plated

#### 2. (E) Packing Options

- E = 0. Chain
- E = 1. Loose Piece

