

# 3.50 mm. DUAL ROW ULTRA POWER HOUS.



## 3540 SERIES. 3.50 x 4.60 mm. (0.138 x 0.181") pitch. Receptacle housing.

### General Features

- Available in 4 through 16 circuits
- Mates with 3.50 mm. pin header 3541 and 3542 series
- Polarised with positive locking system and polarising
- key A or B. Allows wire to PCB connections
- Use crimp terminal 3534 and 3536 series
- Applicable panel thickness: 0.80 to 2.0 mm
- Accept terminal retainer P/N: **3530-0XXX**

### Materials

- Insulator: PA 4T UL 94 V-0
- Operating temperature: -40°C to +105°C
- RoHS compliant

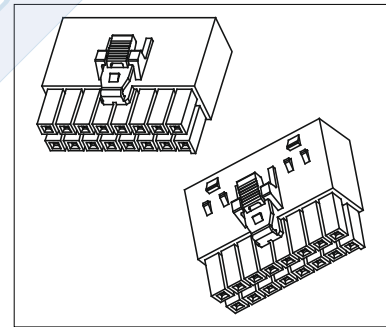
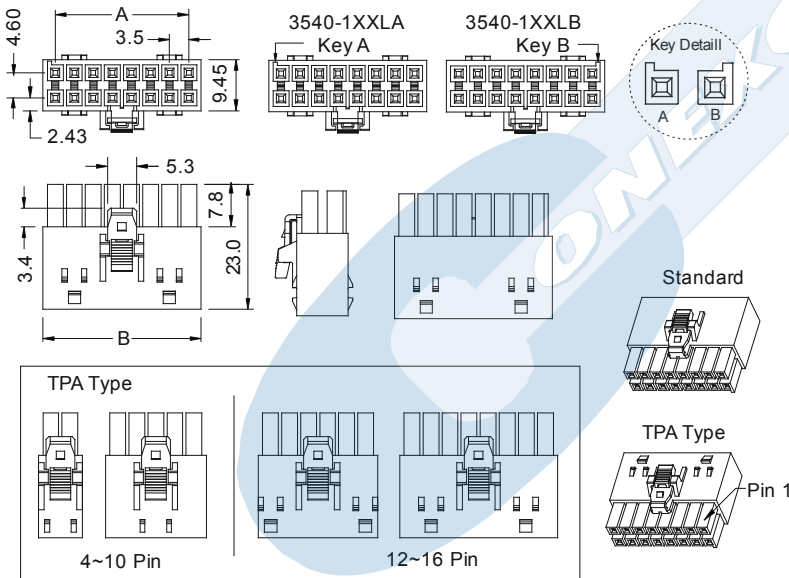
### Electrical Features

- Voltage rating: < 400V
- Current rating: < 8 A
- Contact resistance: < 10 mΩ
- Dielectric withstanding voltage: 1800 V AC/minute
- Insulation resistance: >1000 MΩ

### Mechanical Features

- Contact retention force to the housing: < 3.00 Kgf
- Insertion force to header: < 0.70 Kgf/pin
- Withdrawal force from header: < 0.15 Kgf/pin
- Durability: 25 cycles

### Dimensional Information



### Ordering Information:

**3540** - **1**- **XX**- **L**- **P**  
 1                      2                      3                      4

#### 1. Connector Series

#### 2. (XX) Number of circuits

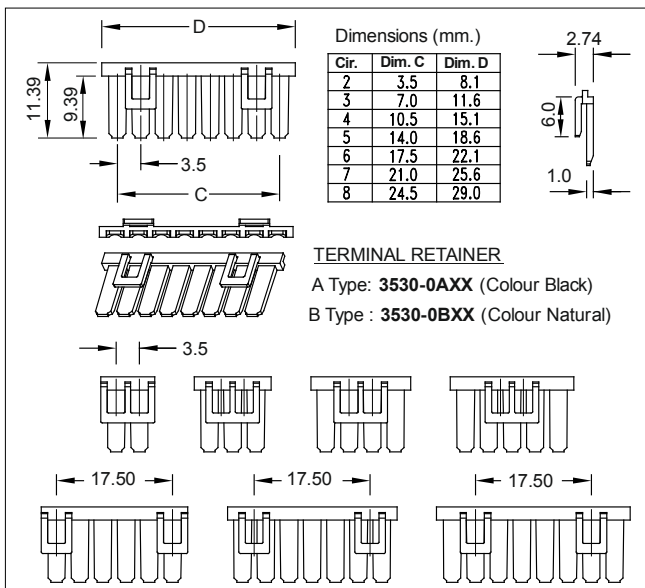
- Available in 2 through 8 circuits

#### 3. (L) Fixing Options

- L = 1. Standard Type
- L = 2. TPA Type

#### 3. (P) Polarising Options

- P = A. Polarising A Type (Black Colour)
- P = B. Polarising B Type (Natural Colour)



### DIMENSIONS: (in mm.)

$$A = 3.50 \left( \frac{XX}{2} - 1 \right) \quad B = 3.50 \left( \frac{XX}{2} \right) + 1$$

(XX) = Number of circuits