

3.50 mm. SINGLE ROW TOP ENTRY HEADER



3531 SERIES. 3.50 mm. (0.138") pitch. ULTRA POWER.

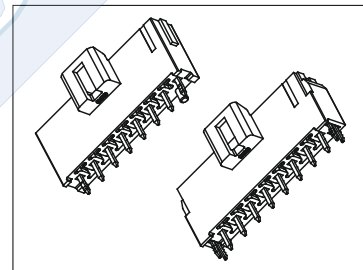
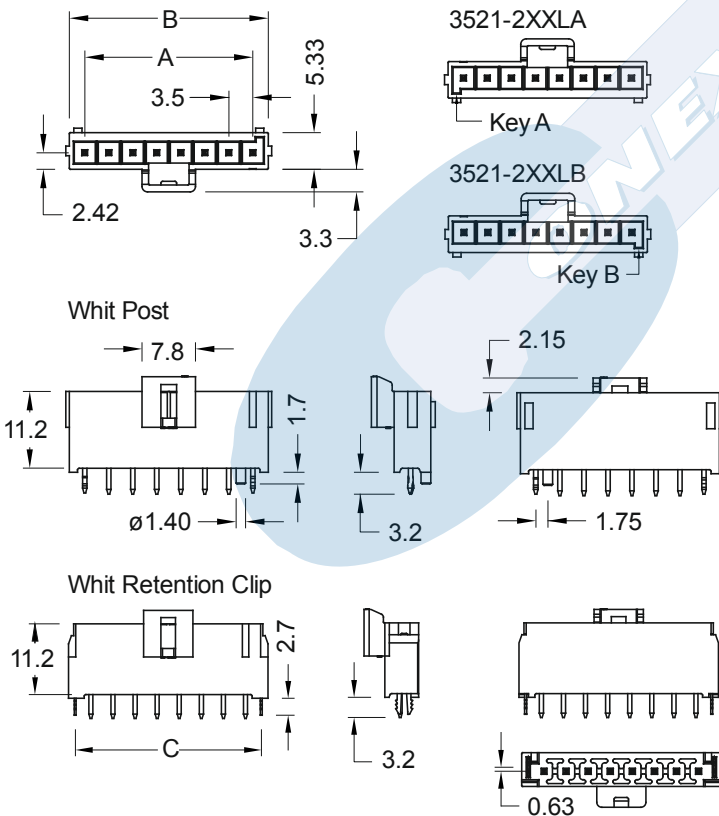
General Features

- Available in 2 through 8 circuits
- Mates with 3.50 mm. pitch crimp housing 3530 series
- Tin plated 0.64 mm. square pin
- Fully shrouded with polarized slot and extra polarizing key A or B.
- Positive lock

Materials

- Insulator: LCP UL 94 V-0
- Terminal: Tin plated brass high conductivity
- Operating temperature: -40°C to +105°C
- RoHS compliant

Dimensional Information



Ordering Information:

3531 - 2- XX- L- P
 1 2 3 4

1. Connector Series

2. (XX) Number of circuits

- Available in 2 through 8 circuits

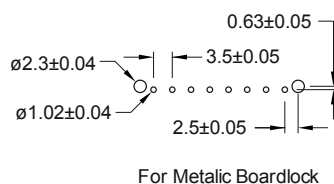
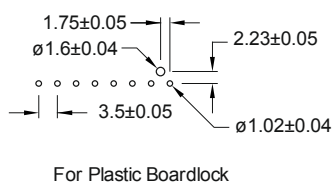
3. (L) Fixing Options

- L = 1. Plastic Boardlock
- L = 2. Metallic Boardlock

4. (P) Polarising Options

- P = A. Polarising A Type (Black Colour)
- P = B. Polarising B Type (Natural Colour)

RECOMMENDED HOLE PATTERN



Dimensions: (In mm.)

A = 3.50 x (XX*-1)

B = 3.50 x (XX*)+1

C = 3.50 x (XX-2) Min. 4 pins

* XX (Number of circuits)