

1.00 mm. FCC/FPC SIDE ENTRY ZIF SMT CON.



1782 SERIES. 1.00mm (0.039") Pitch. With Back Flip.

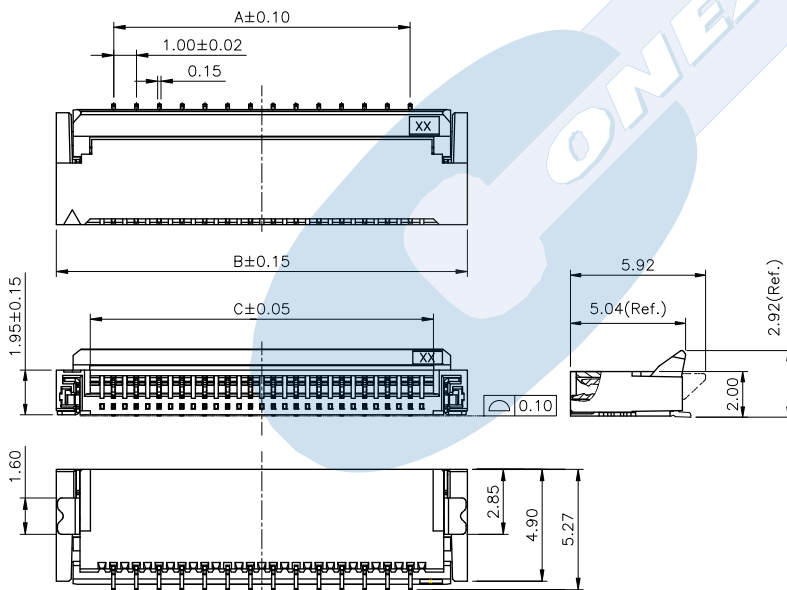
General Features

- Available in 4, 6, 7, 8, 10, 12, 22 and 30 circuits
- Zero insertion force and high retention force (Back flip)
- Accept 0.30 mm thickness FPC. Dual side contact
- Easy for FPC installation and reliable operation
- With metal fixed SMT tabs to secure connector on PCB
- Low profile 2.00 mm.

Materials

- Body: LCP UL 94 V-0
- Slider: LCP UL 94 V-0
- Contact: Phosphor bronze
- Fixed tab: Brass
- Operating temperature. -40°C to + 85°C
- RoHS compliant

Dimensions



Recommended FPC/FFC Dimension
Thickness: 0.3 ± 0.03 mm

DIMENSIONS:

$$A = 1.0 \times (xx^* - 1)$$

$$B = 1.0 \times (xx^*) + 4.0$$

$$C = 1.0 \times (xx^*) + 1.05$$

* (XX) = Circuits (4 through 30)

Electrical Features

- Voltage rating: < 100 V
- Current rating: < 1 A
- Contact resistance: < 30 m Ω
- Dielectric Withstanding Voltage: 500 V AC/minute
- Insulation Resistance: > 500 M Ω

Mechanical Features

- Contact retaining force in insulator: > 0.08 Kg
- FPC withdrawal force: > 0.015 Kg/contact
- Durability: 20 cycles



Ordering Information:

1782 - 2- XX- 1- E
1 2 3 4

1. Connector Series

2. (T) Contact Plating

- T = 2. Tin plated

3. (XX) Number of circuits

- Available in 4 through 30 circuits

4. (E) Packing Options

- E = 1. Tube
- E = 2. Reel + Pad

