

# 1.00 mm. FCC/FPC SIDE ENTRY ZIF CONNEC.



## 1758 SERIES. 1.00mm (0.039") Pitch.

### General Features

- Available in 4 through 30 circuits
- Zero insertion force (ZIF) and high retention force
- Accept 0.30 mm thickness FPC
- Easy for FPC installation and reliable operation
- With metal fixed SMT tabs to secure connector on PCB

### Materials

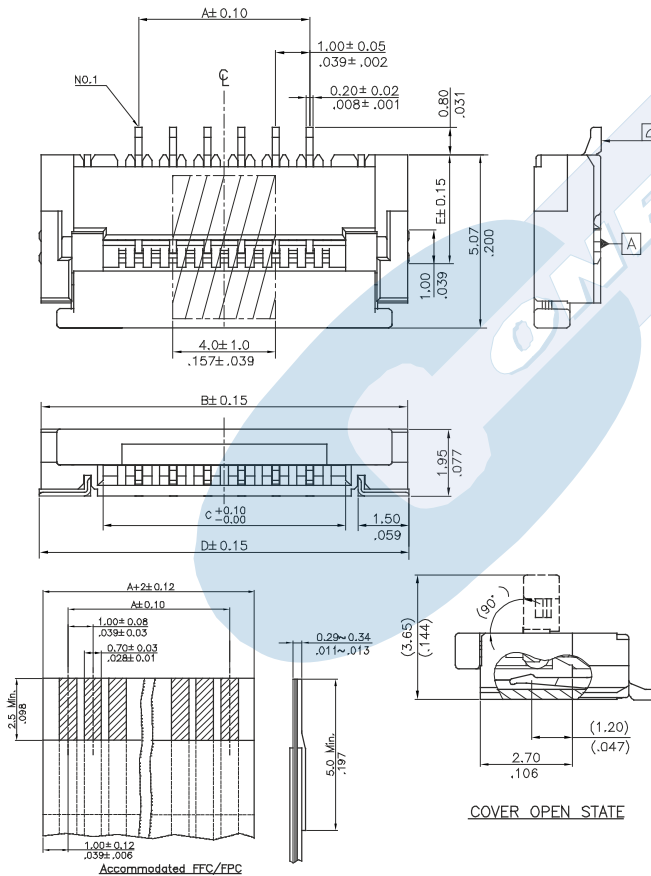
- Body: High temperature plastic UL 94 V-0
- Slider: High temperature plastic UL 94 V-0
- Contact: Phosphor bronze. Fixed Tabs: Brass
- Operating temperature: -40°C to +85°C
- RoHS compliant

### Electrical Features

- Voltage rating: < 100 V
- Current rating: < 1.00 A
- Contact resistance: < 30 mΩ
- Dielectric Withstanding Voltage: 500 V AC/minute
- Insulation Resistance: >500 MΩ

### Mechanical Features

- Contact retaining force in insulator: > 0.30 Kgf
- FPC withdrawal force: 0.03 Kgf/contact
- Durability: 20 cycles



### Ordering Information:

**1758 - 2- XX- S- E**  
 1            2            3

#### 1. Connector Series

#### 2. (T) Contact Plating

- T = 2. Tin plated

#### 3. (XX) Number of circuits

- Available in 3 through 30 circuits

#### 4. (S) Fixed SMT Tabs Options

- S = 1. Type 1
- S = 2. Type 2

#### 4. (E) Packing Options

- E = 1. Tube
- E = 2. Reel + Pad

#### DIMENSIONS:

A = 1.00 x (xx-1)

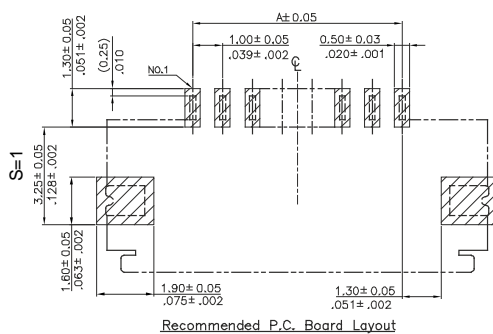
B = 1.00 x (xx) + 5.00

C = 1.00 x (xx) + 1.10

D = 1.00 x (xx) + 4.80

\*(XX) = Circuits (3 through 30)

#### Type 1



#### Type 2

