

# 0.80 mm. FCC/FPC SIDE ENTRY ZIF SMT CON.



## 0811 SERIES. 0.80mm (0.032") Pitch.

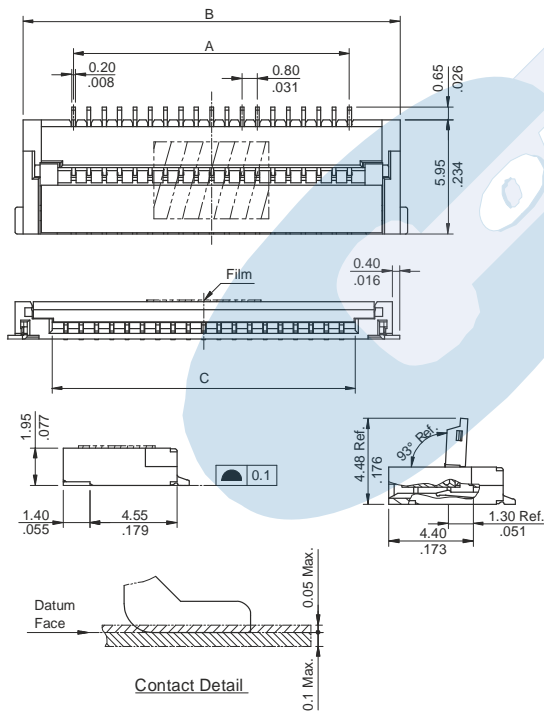
### General Features

- Available in 4 to 40 circuits
- Zero insertion force (ZIF) and high retention force
- Accept 0.30 mm thickness FPC
- Downside contact. Low profile 1.95 mm. high
- Easy for FPC installation and reliable operation
- With metal fixed SMT tabs to secure connector on PCB

### Materials

- Body: High temperature plastic UL 94 V-0
- Slider: High temperature plastic 94 V-0
- Contact: Phosphor bronze
- Fixed tab: Brass
- Operating temperature. -40°C to + 85°C
- RoHS compliant

### Draws and dimensions

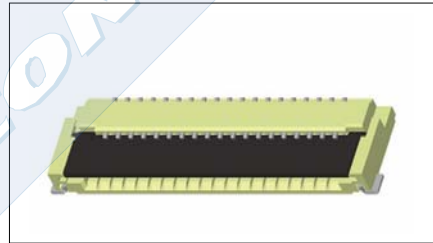


### Electrical Features

- Voltage rating: < 50 V
- Current rating: < 0.50 A
- Contact resistance: < 30 mΩ
- Dielectric Withstanding Voltage: 250 V AC/minute
- Insulation Resistance: >100 MΩ

### Mechanical Features

- Contact retaining force in insulator : > 0.30 Kgf
- FCC/FPC retention force: > 0.03 Kgf/contact
- Durability: 20 cycles



### Ordering Information:

**0811 - 2- XX- E**  
 1            2            3            4

#### 1. Connector Series

#### 2. (T) Contact Plating

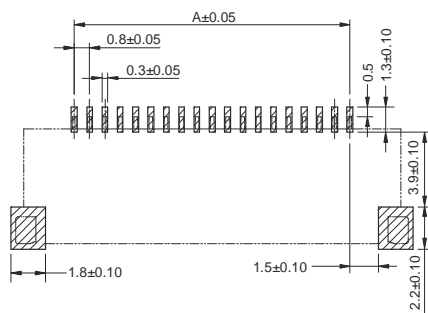
- T = 2. Tin plated

#### 3. (XX) Number of circuits

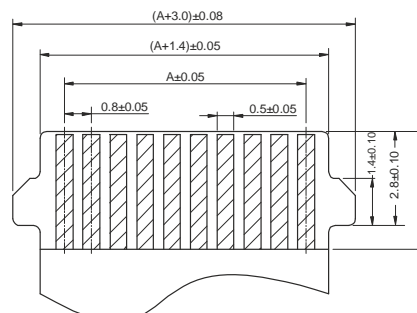
- Available in 4 to 40 circuits

#### 4. (E) Packing Options

- E = 2. Reel + Film



Recommended P.C. Board Layout



Recommended FPC/FPC Dimension  
(Thickness: 0.3±0.03mm)

### DIMENSIONS:

- A = 0.80 x (xx\* - 1)
- B = 0.80 x (xx\*) + 4.50
- C = 0.80 (xx\*) + 0.65
- \*(XX) = Circuits