

0.30 mm. FCC/FPC SIDE ENTRY SMT CON.



0300 SERIES. 0.30mm (0.012") Pitch. ZIF for PCB solder

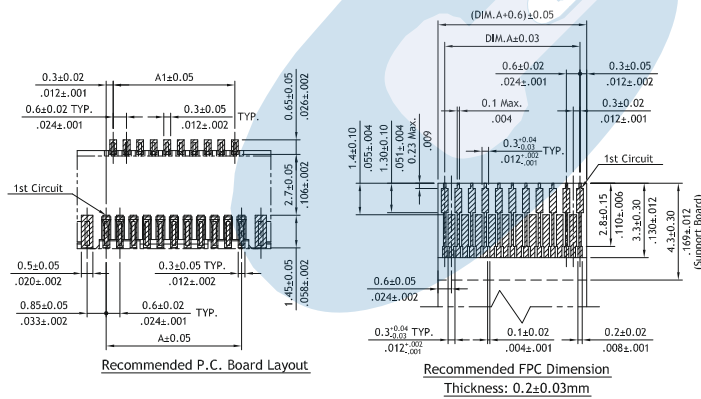
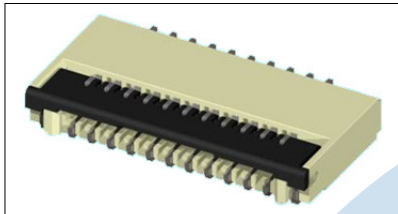
General Features

- Available in 11, 21, 25, 31, 35, 37, 39 and 45 circuits
- Zero insertion force (ZIF) and high retention force
- Accept 0.20 mm thickness FPC
- Downside contact. Low profile 1,25 mm.
- Easy for FPC installation and reliable operation
- With metal fixed SMT tabs to secure connector on PCB

Materials

- Body: High temperature plastic UL 94 V-0
- Slider: High temperature plastic UL 94 V-0
- Contact: Brass. Fixed tab: Brass
- Operating temperature. -40°C to + 85°C
- RoHS compliant

Dimensions



Electrical Features

- Voltage rating: < 25 V
- Current rating: < 0.30 A
- Contact resistance: < 50 mΩ
- Dielectric Withstanding Voltage: 250 V AC/minute
- Insulation Resistance: >50 MΩ

Mechanical features

- Contact retaining force in insulator : > 0,08 Kgf
- FPC withdrawal force: < 0.012 Kgf per contact
- Durability: 20 cycles

Ordering Information:

0300 - 2- XX- S- E
 1 2 3 4 5

1. Connector Series

2. (T) Contact Plating

- T = 2. Tin plated

3. (XX) Number of circuits

- Available in 11 through 45 circuits

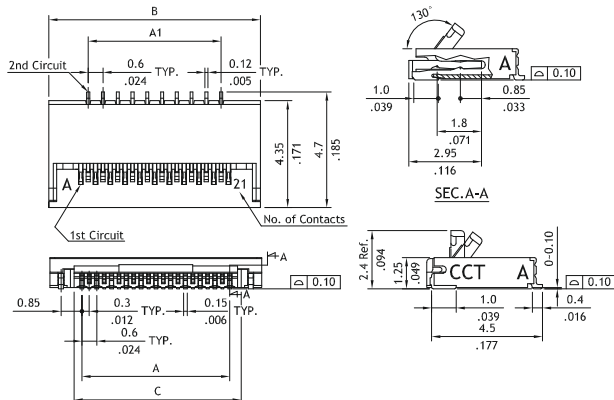
4. (S) Contacts configuration

- S = 1. Type 1
- S = 2. Type 2

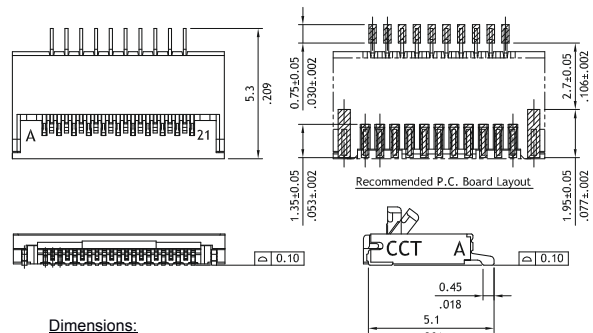
6. (E) Packing Options

- E = 2. Reel + Pad

Type 1



Type 2



Dimensions:

- A = 0,3 x (xx-1)
- A1 = 0,3 x (xx)-0,30
- B = 0,3 x (xx) + 2,30
- C = 0,3 x (xx) + 0,33